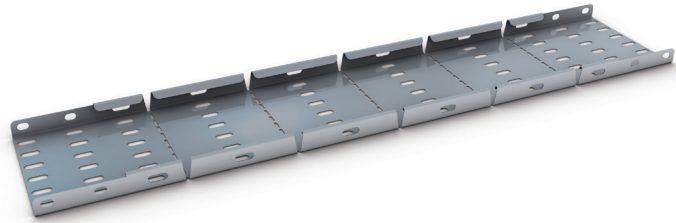


Variable Riser

(Fitting widths W. Sizes in mm)
Standard radius: 300mm.

Ref.	Tray Width mm
KLMR50VR	50
KLMR75VR	75
KLMR100VR	100
KLMR150VR	150
KLMR225VR	225
KLMR300VR	300
KLMR450VR	450



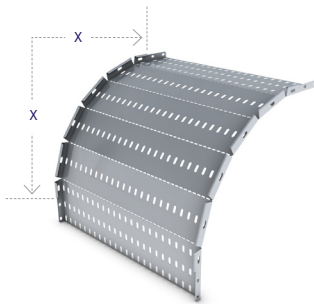
Outside Riser

Ref. KLMR 600ER

Size	600
X	326

Standard radius: 300mm.

600 will be supplied formed 90 degrees



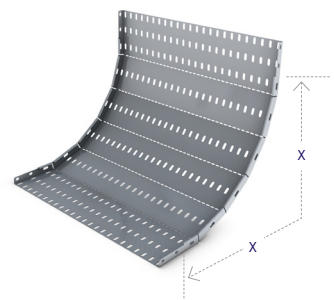
Inside Riser

Ref. KLMR 600IR

Size	600
X	300

Standard radius: 300mm.

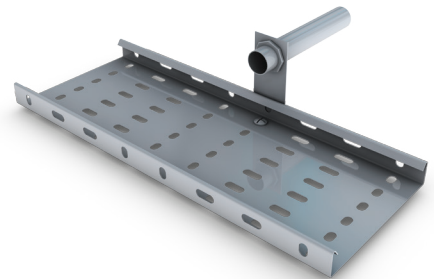
600 will be supplied formed 90 degrees



Conduit Take-off Plate

Ref. TRCB20 (20mm)
Ref. TRCB25 (25mm)

Suitable For Light/Medium/Heavy.



Adjustable Tray Extension

Ref. KLMRATE

Size	Adjustable length ranges		
50	300 - 450	500 - 800	750 - 1200
75	300 - 450	500 - 800	750 - 1200
100	300 - 450	500 - 800	750 - 1200
150	300 - 450	500 - 800	750 - 1200
225	300 - 450	500 - 800	750 - 1200
300	300 - 450	500 - 800	750 - 1200
450	300 - 450	500 - 800	750 - 1200
600	300 - 450	500 - 800	750 - 1200

Made to order item. Other lengths available on request.

